

# GLUING SOLUTIONS

**microprecision  
high speed  
applicator**

For high speed machines  
Accurate dot or bead application  
High repeatability

## MAIN FEATURES

- Complete Hot Melt applicator for high speed machines whose module design combined with solenoid valve features allows an accurate dot or bead application.
- Its reduced response time for activation, the high repeatability of response time during its life and the large number of cycles capability (long half-life), makes it ideal for exigent applications in Packaging and Graphic Arts Industries.

## ENERGY EFFICIENCY

- The insulating covers and pneumatic tubes guarantee an energy reduction, minimizing heat losses as well as 'Cool-Touch' guard for operators.
- Due to this capability, uniform temperature is reached so it is a very steady temperature applicator for adhesive handling in terms of constant flow, good bonding and no adhesive char or degradation.

## OPERATION AND MAINTENANCE

- The integrated filter to avoid nozzle clogs is very easy to change (cartridge spare part) and it can be done without disassembly the hose- applicator hydraulic connection.
- Its minimum size allows to install at limited places where other standard applicators cannot fit.
- The high speed applicator can be equipped with standard microprecision modules or zero cavity modules. The standard microprecision modules offer high flexibility with interchangeable nozzles while zero cavity modules provide an optimum adhesive cutting.

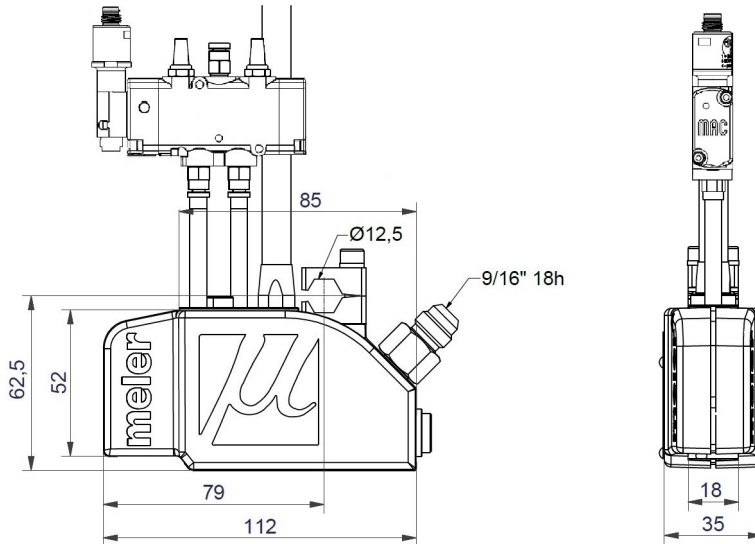
## OPCIONES

- For less demanding applications, are available a series of solenoid valves of 4/2 and 5/2.
- The temperature sensor can be optionally Pt100 or Ni120.
- The filter mesh is available in sizes of 50, 100 and 200 mesh.
- For solenoid valves are available variety of cables and connectors.

**Note:** for more details of the different options, check the configuration range.

## TECHNICAL CHARACTERISTICS AND DIMENSIONS

Max. operating temperature	200°C (392°F)	Pneumatic connection	quick disconnect; insulating tubes
Temperature control	RTD $\pm 0.5^\circ\text{C}$ ( $\pm 1^\circ\text{F}$ )	Operating speed (*)	8.500 dots/ min
Supply voltage	230 VAC, 50 Hz	Minimum dot dimension (*)	2.6 mm
Heating power	165 W	Fixation clamp	$\varnothing 12$ mm rod
Max. hydraulic pressure	81,6 bar (1.183 psi)	Weight	720 g, complete applicator (ready to use)
Filter	100 mesh (standard), integrated	<b>(*) Depends on the type of adhesive, type of controller and solenoid valve.</b>	
Air pressure supply	6 bar; dry, clean, unlubricated		
Solenoid valve voltage	24 VDC		



For more information speak with your Meler representative:

**meler**   
GLUING SOLUTIONS

### Head Office

Pol. Los Agustinos, c/G, nave D-43  
E-31160 Orcoyen - Navarra - Spain  
Phone: +34 948 351 110  
Fax: +34 948 351 130  
email: info@meler.es

[www.meler.eu](http://www.meler.eu)

