



ZERO CAVITY MODULE NDS-CC

GLUING SOLUTIONS

Module for swirl application.
Prevents clogging. Eliminates small impurities automatically.
Sharp cutoff in the application. Perfect closure without cavity in the nozzle.
A nozzle design that ensures stable swirls.

- The robust design of the nozzle includes air channels that ensure application stability.
- Excellent control of edges.
- The fit with the needle on the nozzle tip is cavity free. In addition, the high resistance to wear and deformation of the needle guarantees a high module durability.
- The nozzle can be removed and used with various outlet diameters.
- The NDS module is available with a spring driven open-close mechanism.
- Application width can be varied by adjusting swirl air.

PRIMARY USES: Automotive and graphic arts.

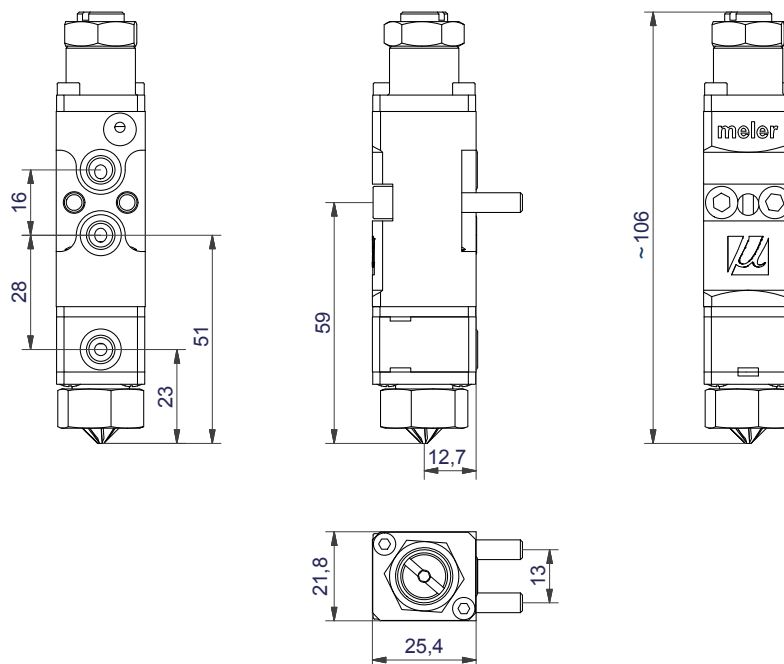
These modules are also compatible with applicators from other brands.

TECHNICAL CHARACTERISTICS

Max. temperature	200°C
Max. hydraulic pressure	80 bar (1160.3 psi)
Pneumatic pressure	4-5.5 bar (58-80 psi)
Max. working frequency	3500 cycles/min
Nozzle diameter	0.30/0.50/0.60/0.80/1.00
Swirl diameter width (*)	5 to 45 mm
(*) Depends on the type of adhesive and the working parameters.	

DIMENSIONS

NDS-CCE



For more information speak with your Meler representative:

meler 
GLUING SOLUTIONS

Head Office

Pol. Los Agustinos, c/G, nave D-43
E-31160 Orcoyoen - Navarra - Spain
Phone: +34 948 351 110
Fax: +34 948 351 130
email: info@meler.eu

www.meler.eu

