

GLUING SOLUTIONS

applicator NC series

Configurable to fit any application need.
Easy maintenance thanks to its side access.
Dimensional and electrical compatibility with other applicators in the market.

MAIN FEATURES

- New bead applicators with small dimension, in two pneumatic control versions: air open-air close AOAC or air open-spring close AOSC.
- Based on an initial design, these applicators can be supplied with different sizes and module quantity to achieve dimension and number of beads necessary for every application.
- Temperature control is done by an electronic system from the melting unit, through internal wire along the heated hose, using a RTD sensor either Ni120 or Pt100.

OPERATION AND MAINTENANCE

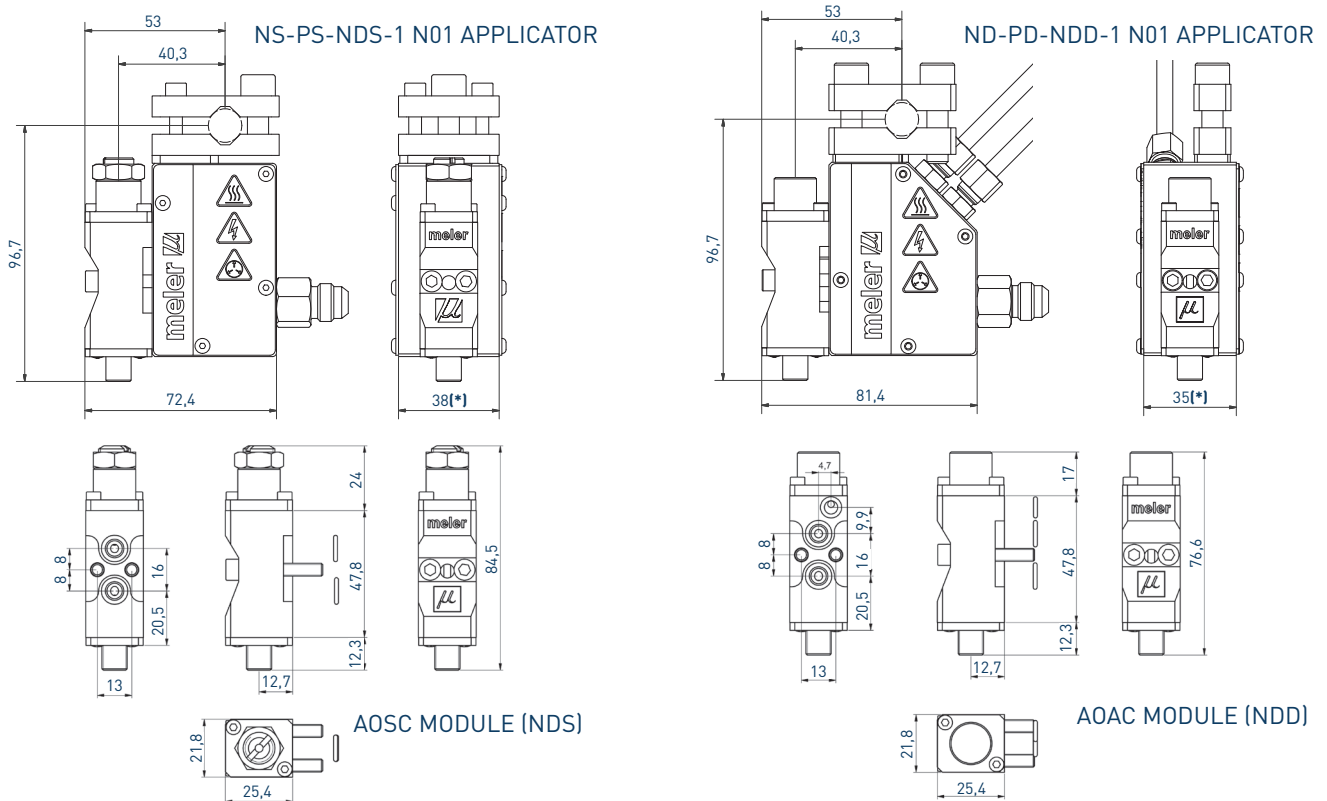
- Accessibility to internal parts allows an easy maintenance and repairing, only removing small closing plates.
- Likewise modules are designed to achieve the maximum compatibility with other applicators in the market, giving to our customers the possibility to get a spare parts service to the existing installations even if they are not at first Meler product.

TECHNICAL CHARACTERISTICS

Operating temperature	up to 230°C (446°F)
Max. working pressure	90 bar (1.305 psi)
Max. pneumatic pressure	6 bar; dry, clean, unlubricated
Operating speed (*)	up to 4.800 cycles/ minute
Temperature control	RTD $\pm 0.5^\circ\text{C}$ ($\pm 1^\circ\text{F}$) (Ni120 or Pt100)
Supply voltage	230 VAC, 50/60 Hz (from the melter unit)
Solenoid valve voltage	24 VDC
(*) Depending on the type of adhesive	

DIMENSIONS

(*) Width value is regarding number of modules and center line dimensions required



For more information speak with your Meler representative:

meler 
GLUING SOLUTIONS

Head Office

Pol. Los Agustinos, c/G, nave D-43
E-31160 Orcyoyen - Navarra - Spain
Phone: +34 948 351 110
Fax: +34 948 351 130
email: info@meler.eu

www.meler.eu

